

CES-J Series

Hazardous Location LED Flood Light





CES-J Series

HAZARDOUS LOCATION LED FLOOD LIGHT

Product description

The housing is made of high-strength aluminum alloy + Tempered glass, it has more vibration and impact resistance. The excellent heat dissipation structure design. The efficiency and service life of the lamp can withstand high mechanical strength and temperature changes. The explosion-proof lamp has a variety of installation methods to choose, emergency optional (1.5 hours backup battery), and is very suitable for hazardous location lighting.

This series hazardous location led floodlight adopts a sealed structure, which has high waterproof and anti-corrosion performance, and meets the UL1598A Marine Grade certification. it can be used in Class I, Division 2, Groups A, B, C and D hazardous location.

Features

- Patent designed to be Curved Fin Shape, maximize the best heat transmit.
- Aluminum alloy (ADC12).
- Lens -tempered glass (8mm) shock & vibration resistant, Super clear, >90% light transmit.
- LED: LM80 certified ,130lm/W +5, up to 240501m.
- Meanwell LED Driver,>90% driver efficacy,
- Circuit design: 4KV/6KV Surge Protection power supply.
- Protection: IP67, high protection grade for waterproof and dust-proof.

Certificate & Standard

Certifications and compliance for hazardous NEC/CEC:

Class I, Division 2, Groups A, B, C and D

T-Class: T6

Damp and wet locations

Certificate No: E475887

US: UL 844; UL 1598;

Canada: CSA C22.2 No. 137; CSA C22.2 No. 250.0;

Certifications and compliance for marine:

Certificate No: E495071

US: UL 1598A

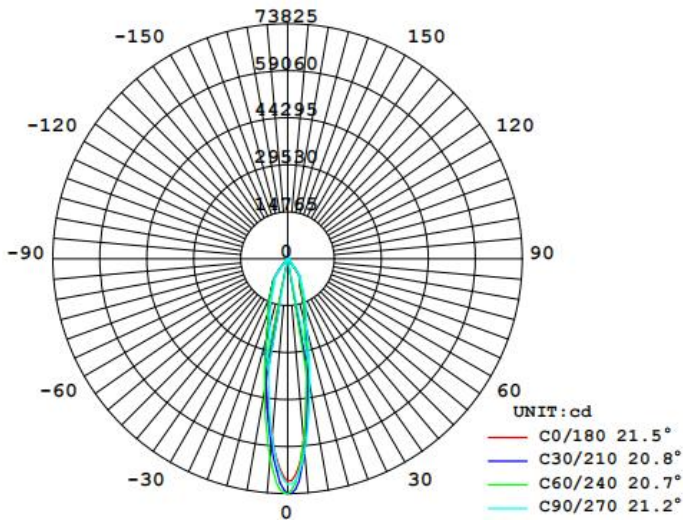
Application

1. Oil & Gas Exploration
2. Drilling
3. Oil Refinery
4. Petrochemical Plant
5. Power Plant
6. Pharmaceutical Plant
7. Heavy Industrial Storage Facility
8. Paper mills
9. Wastewater Treatment Plants
10. Shipyards

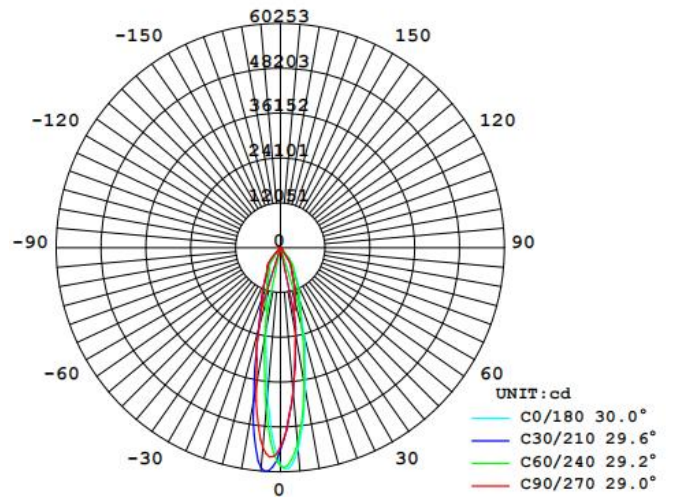
Warranty

5 Years Warranty

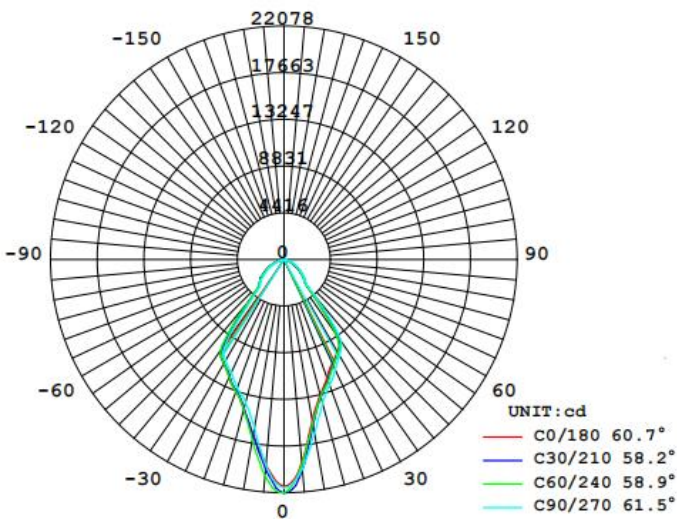
Lighting Distribution



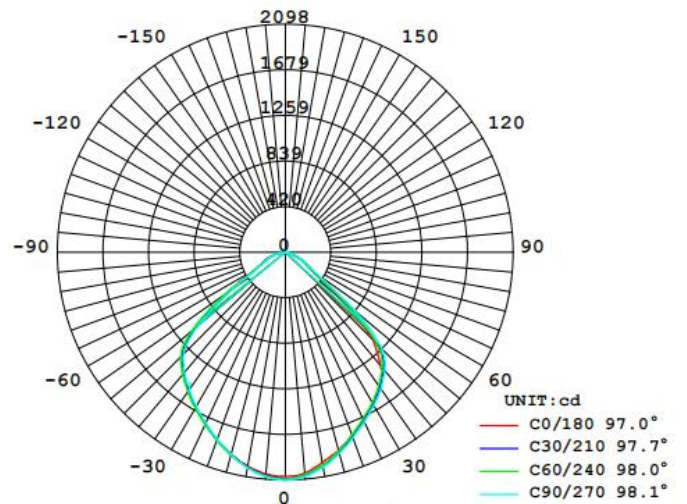
(15 Degree)



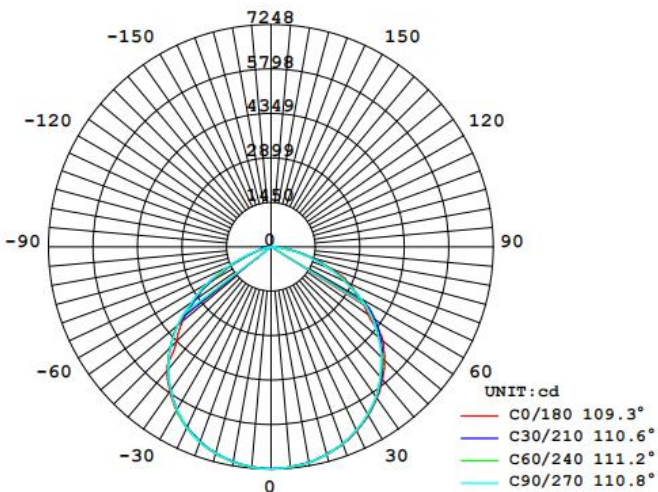
(35 Degree)



(60 Degree)



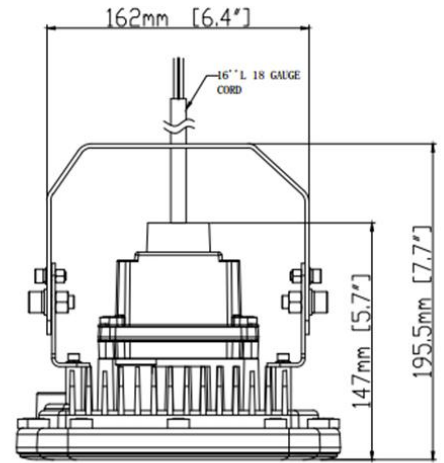
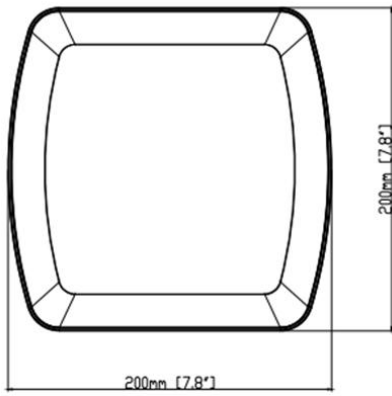
(90 Degree)



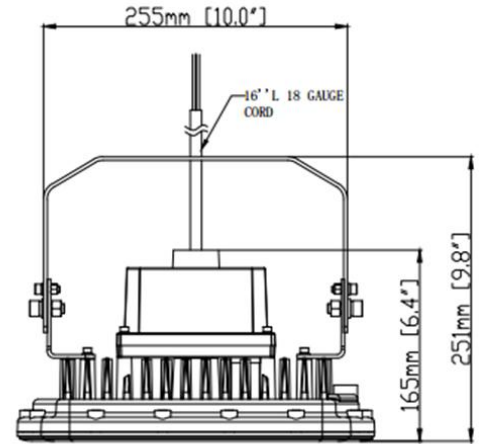
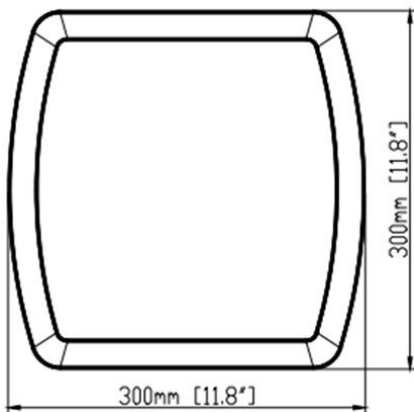
(120 Degree)

CES-J Series LED Explosion Proof Flood Light

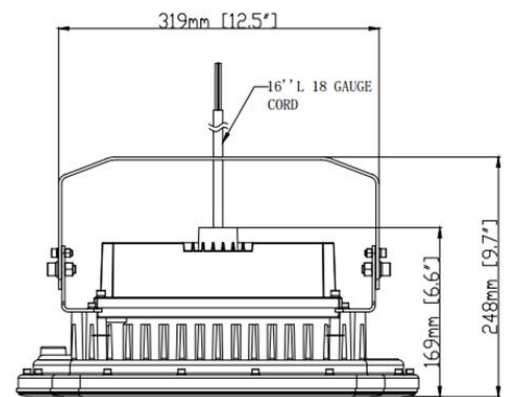
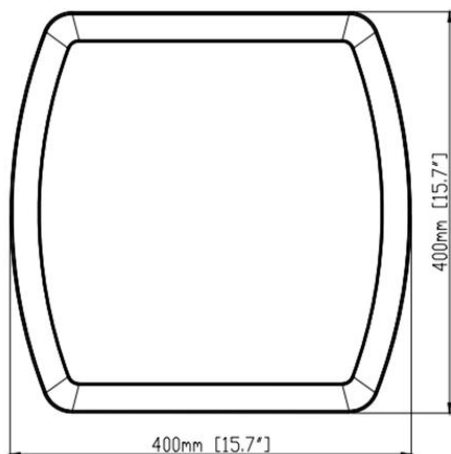
Product Size



Product Model	Product Size	Carton Size	QTY/CTN	Net Weight	Gross Weight
CES-J40s	200*200*147mm	255*255*215mm	1	4.0 KG	5.0 KG



Product Model	Product Size	Carton Size	QTY/CTN	Net Weight	Gross Weight
CES-J100	300*300*165mm	375*375*245mm	1	7.0 KG	9.0 KG



Product Model	Product Size	Carton Size	QTY/CTN	Net Weight	Gross Weight
CES-J200	400*400*169mm	470*470*250mm	1	10.5 KG	12.0 KG

Technical parameter

Product	CES-J40s	CES-J100	CES-J200
Type	LED Explosion Proof Flood Light		
Light efficiency (Lm/W)	120lm/w	120lm/w	120lm/w
Power(W)	40W	100W	185W
Voltage-Frequency	100-277Vac 50-60Hz	100-277Vac 50-60Hz	100-277Vac 50-60Hz
Color Temp	5000K (Provides 3000K to 6500K)		
CRI(Ra)	>70		
Luminous Flux (lm)	4,800LM	12,000LM	22,200LM
Beam Angle	15° / 30° / 60° / 90° / 120°		
Power Supply	Meanwell		
Power Factor	>0.97		
Rated Lifetime-L70 (hrs.)	50,000hrs		
THD	<10%		
Operating temperature	-40°C to + 40°C		
Entry Size	M25X1.5 (Standard), M26X1.5 or NPT 3/4"-14 (Optional)		
Cable	STOW, UL certification, 3x18AWG with 0.5m cable (standard)		

Emergency Back Up Optional:

Emergency power: 12W, Emergency time: >90min, Battery: Li-ion battery-11.1 V/2500mAH

Operation:

AC Operation:

AC power is present, the LED load from the LED driver is normal power supply, AC LED driver output current cannot exceed 150W or 4A, the emergency driver is charging in a standby mode, The green LED light on to indicate that it is charging.

Emergency operation:

When the AC power goes out, the emergency driver detects the AC power outage and automatically switch to the working emergency mode. The green LED light off. When the AC power is restored, the emergency driver backs to AC power working and starts re-charging, the green LED light on.

Product display



(Without Reflector)



(Back)



(White Reflector)



(White Color)

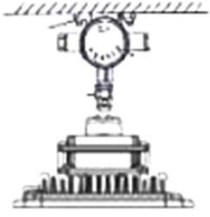


(Emergency Back Up)



(2Fixtures,300W-370W)

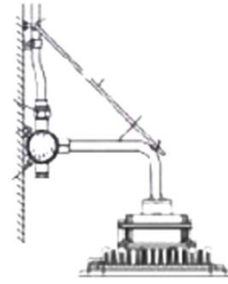
Installation method



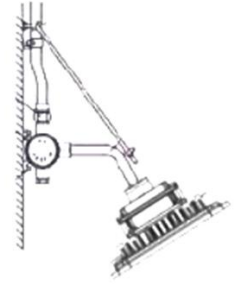
A. Ceiling Mount



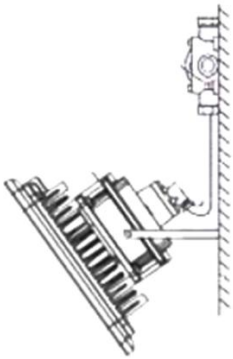
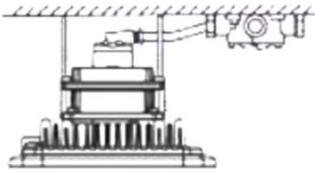
B. Drop Mounting



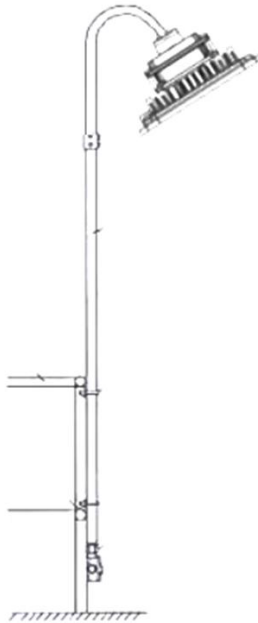
C. Wall Mount



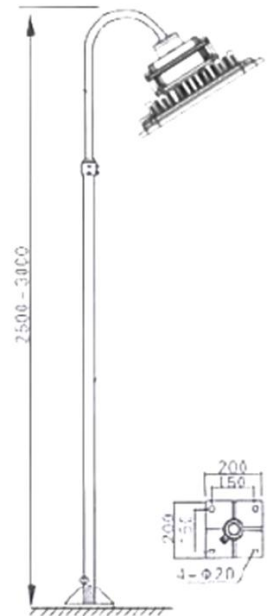
D. Wall Mount



E. U-Bracket Mounting



F. Pole Mount



G. Pole Mount